

# ALPHA ROLLER BANNER STANDS

ROLLER BANNER STANDS



Single sided graphic display

Sleek satin anodised casing and pole set

Magnetically attaching black chrome end trims

Patented smooth action roller mechanism

**plex**  
DISPLAY

ROLLER BANNER STANDS

# ALPHA

# ELEGANT AND STYLISH

ALPHA IS AN **INNOVATIVE AND EXCITING NEW** ROLLER BANNER SYSTEM FROM PLEX DISPLAY. **THIS ELEGANT AND STYLISH** DISPLAY UNIT IS DESIGNED FOR USE WITH SINGLE SIDED GRAPHICS. OFFERING **TOOL-FREE, RAPID ASSEMBLY** AND A VISIBLE GRAPHIC HEIGHT OF 2100MM, ALPHA IS **PERFECTLY SUITED TO ANY DISPLAY LOCATION.**

## FEATURES

- Single sided graphic display
- Elegant slender shape
- Sleek satin anodised casing and pole set
- Integral bungeed poles
- Weighted base for added stability with anti-slip feature
- Magnetically attaching black chrome end trims
- Patented smooth action roller mechanism
- System set up in seconds
- System is supplied pre-tensioned
- Graphic tension can be adjusted easily
- Quick change graphic facility
- Visible graphic size is 2100 x 800mm
- Comes complete with a luxury padded carry bag

## ACCESSORIES

- Transit case available
- Range of light styles available



**plex**  
DISPLAY

SINGLE SIDED DISPLAY

# H



1. Helios 3  
50w hi spotlight
2. Helios 4  
50w hi spotlight
3. Helios 5  
50w hi spotlight
4. Helios 7  
50w low voltage spotlight
5. Helios 8  
50w low voltage spotlight

ROLLER BANNER STANDS

COMPACT AND PORTABLE

LIGHTING OPTIONS

SET UP IN SECONDS

## SPECIFICATIONS

### GRAPHIC PANEL SIZE

Finished graphic panel size  
2300 x 800mm  
(Includes 200mm bleed)

### Visual graphic area

2100 x 800mm

### Maximum finished graphic panel thickness

250 micron

### SYSTEM SIZES

#### Boxed size

800mm = 915 (L) x 250 (W) x 115 (D)mm

#### Assembled size

800mm = 835 (W) x 200 (D) x 2145 (H)mm

#### BOXED WEIGHT

800mm = 4.4kg

## COMPONENT LIST

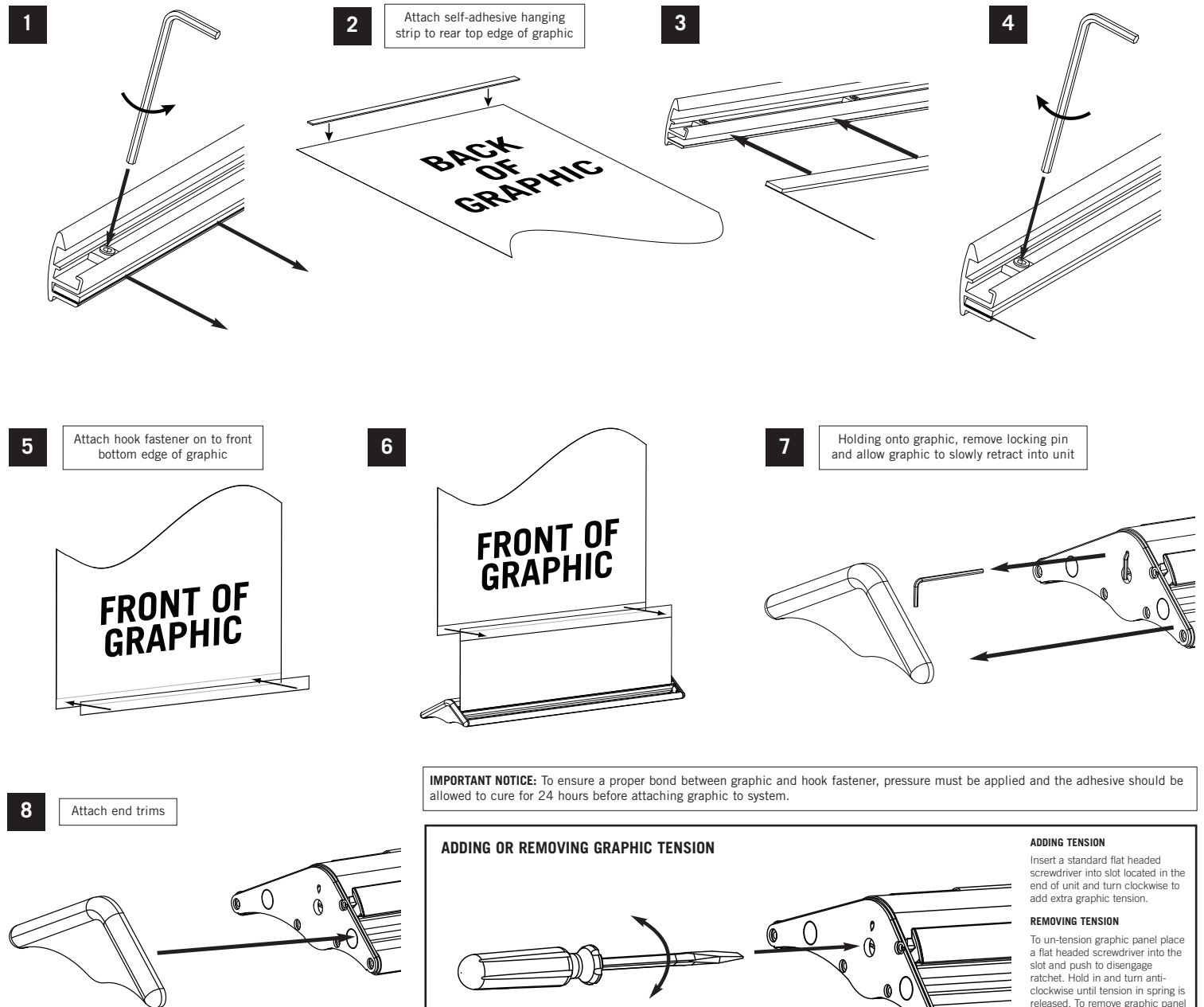
Alpha unit complete with bungeed poles

Graphic hanger includes self adhesive hanging strip

Padded carry bag

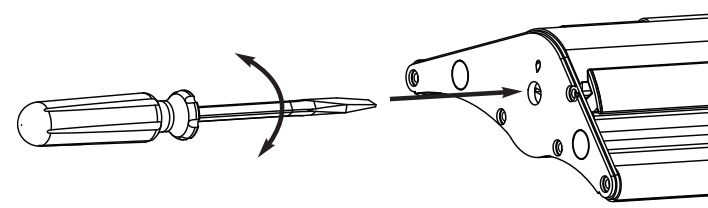
Spare Allen Key / locking pin

## GRAPHIC ATTACHMENT



**IMPORTANT NOTICE:** To ensure a proper bond between graphic and hook fastener, pressure must be applied and the adhesive should be allowed to cure for 24 hours before attaching graphic to system.

## ADDING OR REMOVING GRAPHIC TENSION



### ADDING TENSION

Insert a standard flat headed screwdriver into slot located in the end of unit and turn clockwise to add extra graphic tension.

### REMOVING TENSION

To un-tension graphic panel place a flat headed screwdriver into the slot and push to disengage ratchet. Hold in and turn anti-clockwise until tension in spring is released. To remove graphic panel carefully peel it off leader sheet. The graphic hanger can also be removed or a new hanger can be purchased.

**plex**  
DISPLAY

International Patent Application  
No. WO 02/057588  
No. PCT/GB02/00129 in USA

Issue 1 - June 2008

## SPECIFICATIONS

**GRAPHIC PANEL SIZE**  
Finished graphic panel size  
2300 x 800mm  
(Includes 200mm bleed)

**Visual graphic area**  
2100 x 800mm

**Maximum finished graphic panel thickness**  
250 micron

### SYSTEM SIZES

**Boxed size**  
800mm = 915 (L) x 250 (W) x 115 (D)mm

**Assembled size**  
800mm = 835 (W) x 200 (D) x 2145 (H)mm

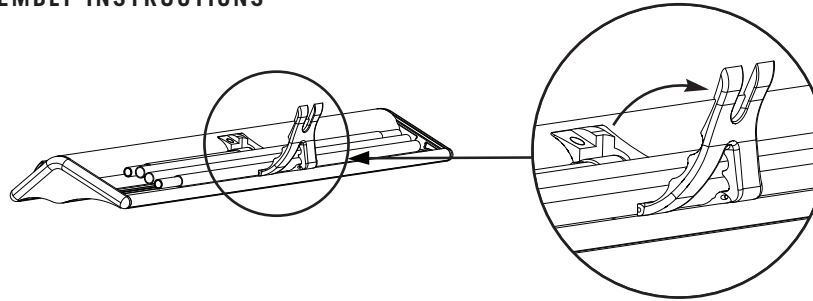
**BOXED WEIGHT**  
800mm = 4.4kg

## COMPONENT LIST

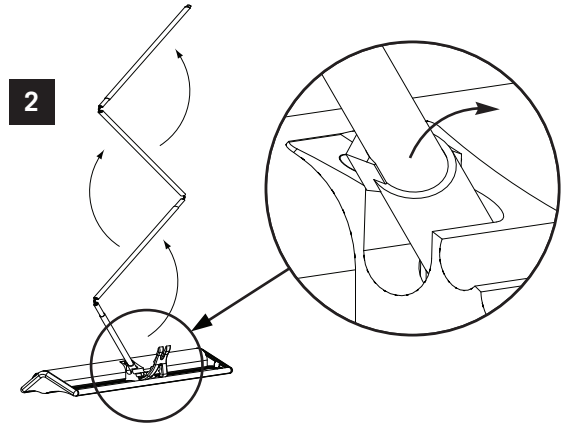
- Alpha unit complete with bungeed poles
- Graphic hanger includes self adhesive hanging strip
- Padded carry bag
- Spare Allen Key / locking pin

## ALPHA BANNER STAND ASSEMBLY INSTRUCTIONS

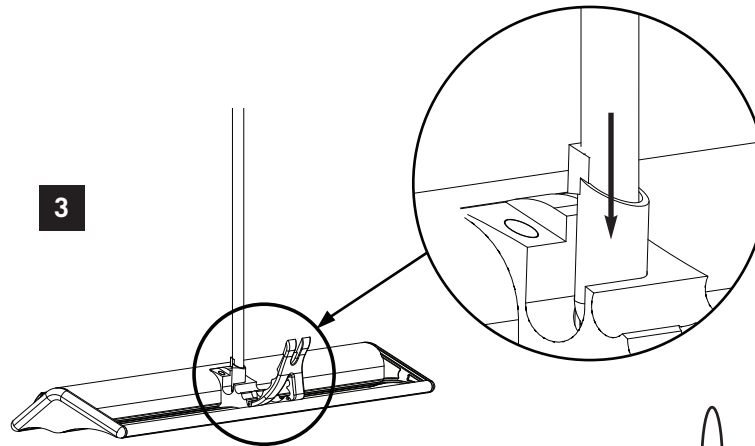
1



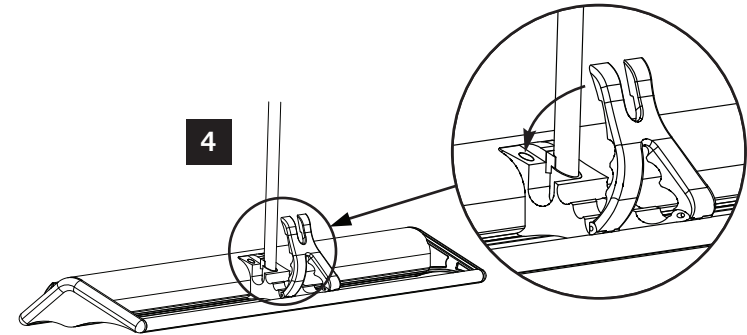
2



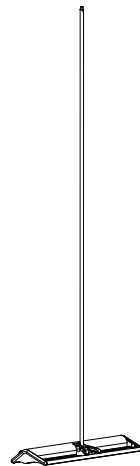
3



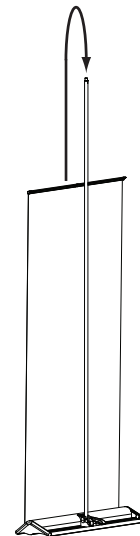
4



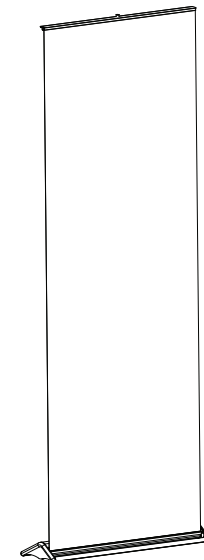
5



6



7



### IMPORTANT NOTICE:

When retracting a graphic always slowly guide it into base housing, otherwise graphic damage may occur.

**plex**  
DISPLAY

International Patent Application  
No. WO 02/057588  
No. PCT/GB02/00129 in USA